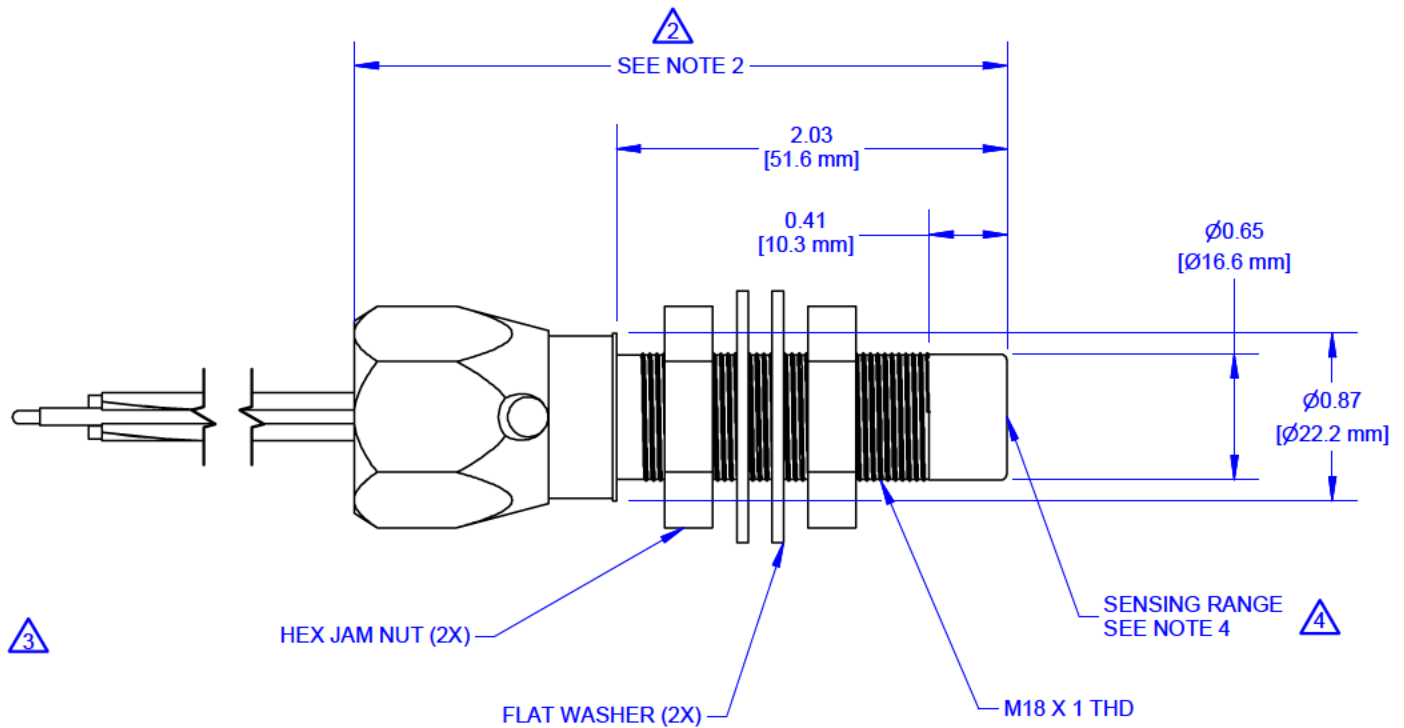


SEE NOTE 3



NOTE:

1) DIMENSIONS INCHES [mm].

2) UNIT LENGTHS MAY VARY BY MODELS  
 - UNIT LENGTH WITHOUT CONNECTOR 3.40" [86.4 mm]  
 - UNIT LENGTH WITH CONNECTOR 4.08" [103.6 mm]

3) CONSULT FACTORY FOR CONDUIT / CONNECTOR SIZE ON SPECIFIC MODELS.

4) SENSING RANGE 0.16"- 0.24" [4-6 mm] MAXIMUM, DEPENDING ON TARGET MATERIAL.

5) MOUNTING HARDWARE REQUIRED AND SOLD SEPARATELY.



REVISIONS	REVISION	ECO	DATE	BY	PUBLIC THIS DRAWING AND ALL INFORMATION CONTAINED HEREIN IS THE PROPERTY OF AND IS SUBJECT TO CHANGE BY VALMET.	 FERGUS FALLS, MN 56537 USA			
	C	18887	10/5/22	RB					
	B	16608	08/04/20	BK					
	A	7849	1/24/2012	DB					
TOLERANCES* (UNLESS OTHERWISE SPECIFIED):					DR. MAW	TITLE DIMENSIONAL DATA, HAWKEYE HK			
X.XXX ± .005 ANGLES ± 0° 30'					CHK. MB	SCALE 1:1	SHEET 1 OF 1	DRAWING NO.	REV.
X.XX ± .010 FINISH f 125 RMS					APPD. RA	SIZE A	DATE 11/19/1997	500086	C
X/X ± .015 *DIMENSIONS: INCHES (UNLESS OTHERWISE SPECIFIED)									

CERTIFIED TO BE DIMENSIONALLY CORRECT.